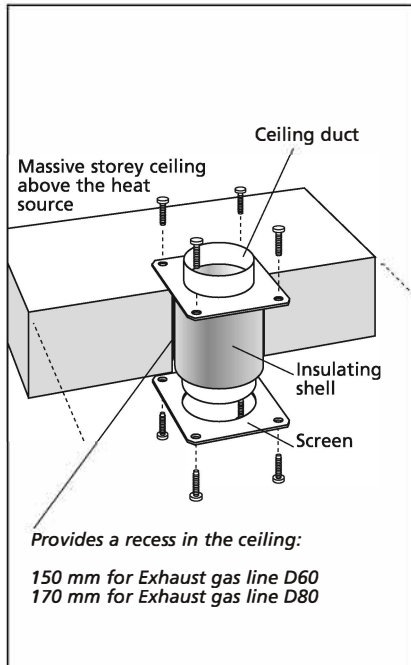
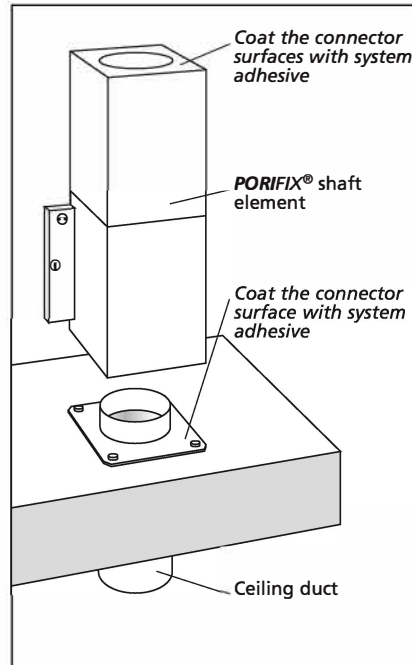


Installation procedure

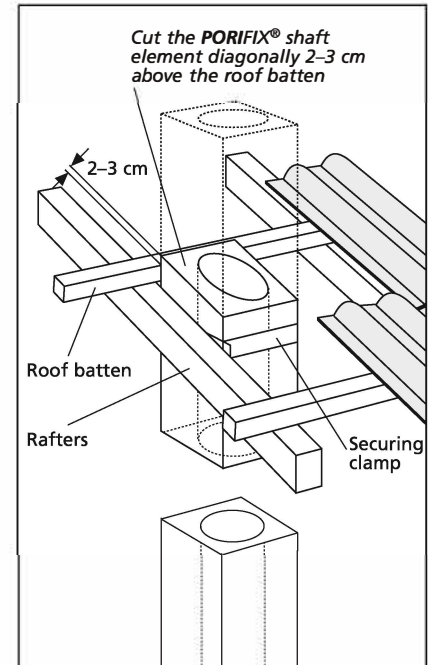
1 Installing the ceiling duct



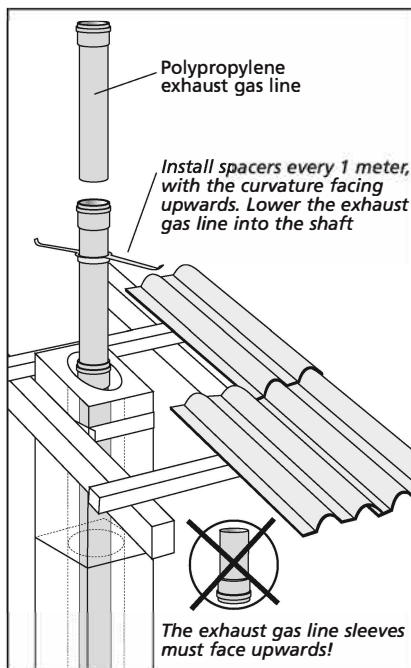
2 Installing the shaft elements



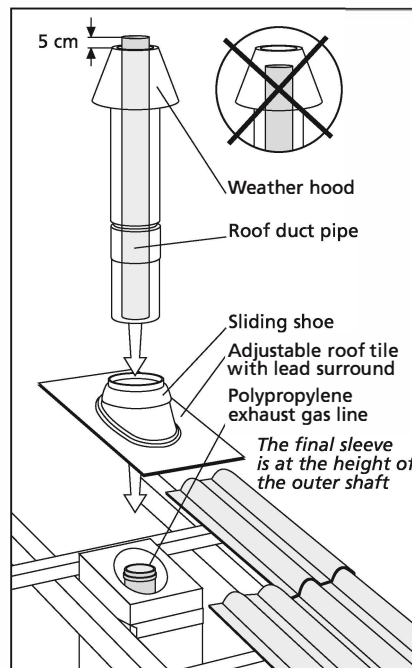
3 Installing the shaft in the roof area



4 Installing the exhaust gas line



5 Installing the roof duct and adjustable roof tile



6 Installing the connector T-piece

